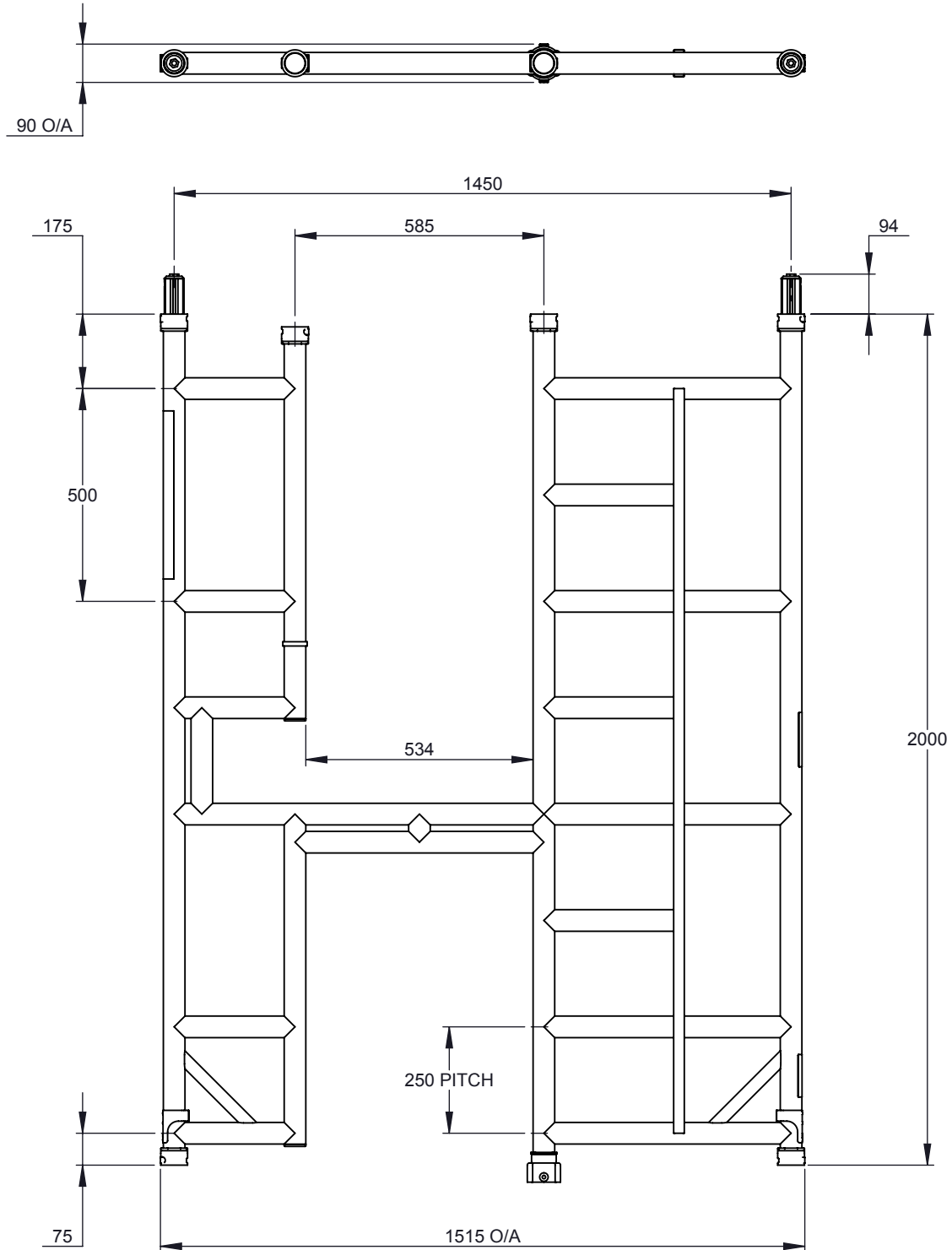


TECHNICAL SPECIFICATION

Note: All dimensions in mm unless otherwise stated



NOTE: ALL TUBES 50.8mm

PART NO.	DESCRIPTION	WEIGHT
399513	BoSS STEP-THROUGH MULTIPURPOSE LADDER FRAME	12.0kg